



॥ श्री ॥

VAIBHAV ENTERPRISES

FACTORY : Mumbai-Pune NH 4, Opp. Shree Ram Auto Mall, At. Nadhal, Post. Lodhivali, Tal. Khalapur, Dist. Raigad 410206. : Email.: vaibhaventripises.co@gmail.com / ganesh.vaibhaventripises@gmail.com

About US

“ Vaibhav Enterprises “ is Mumbai based company has been established and involved in Manufacturing and supplying of ISPM Pallet, Euro Pallet, Wooden Plywood Box, Wooden in Onsite packing services using the above packing products.

The application covers almost all types of industries and are practically in the Paper, Chemical, Stone, Engineering, Steel Industry, Heavy & Huge Project Cargo Machine, Boilers, Coils etc.

Profile :

We are one of the leading trading of wide range of wooden packing products that are available in Both standard and customized sizes and are known for their superior finish and durability Features.

We are pleased to inform you that we are one of the leading trading for various types of WOODEN PALLETS and we are all ready supplying to various corporate companies for last Decade. As you are aware of growing high technology, material handling pallets in today's Business plays an important role as it is cost saving. All our pallets are treated with proecto Further we are in position to fulfil your requirement for non-standard small quantity items, as per Your drawing and design.

Why Us?

With the rich industry experience, we are engaged in wide range of industrial packaging Products including industrial packaging Materials, industrial Packaging Boxes and Wooden Pallets. We ensure a wide customized range of products as per the needs of the clients. We Have been able to carve a niche for ourselves in the industry and we are preferred by our customers Due to the following reasons:

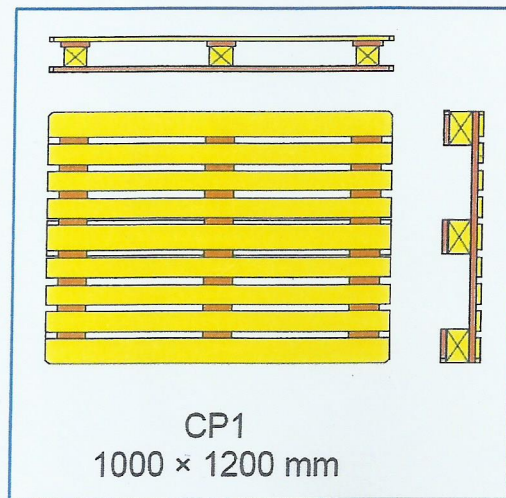
- Supreme quantity range of packaging boxes
- Advanced manufacturing facility
- Wide distribution network
- Timely delivery of consignments
- Customized solutions
- Industry leading price

1. Clariant Chemicals Ltd.
2. Gharda Chemicals Ltd.
3. Sudarshan Chemicals Industries LTD.
4. Wanbury Ltd.
5. Aquapharm Chemicals Ltd.
6. Vinati Organics Ltd.
7. Amico Pesticide Ltd.
8. Birla Carbon India LTD.
9. Anshul Speciality Molecules LTD.
10. Deepak Novachem PVT LTD.
11. Krishna Dye Chem LTd.
12. RSD Polymers PVT.LTD
13. Filtra Catalysts & Chemical LTD.
14. 3M Paper MFG. LTD.

We manufacture and supply superior quality wooden pallets as per ISPM 15 specifications. Our standard wooden pallets duly treated from CP1 to CP9. We specialize in making four-way & two-way wooden pallets, and we also offer EURO standard wooden pallet & our wooden pallets that can be customized to facilitate any specific required designs.

CP-1 PALLETS: These pallets are primarily used with sacks and boxes. As with the CP-3 and the CP-9, the primary difference is the perimeter bottom. The CP-1 is used with lighter loads. The perimeter bottom prevents damage to the lower units by more evenly distributing the load.

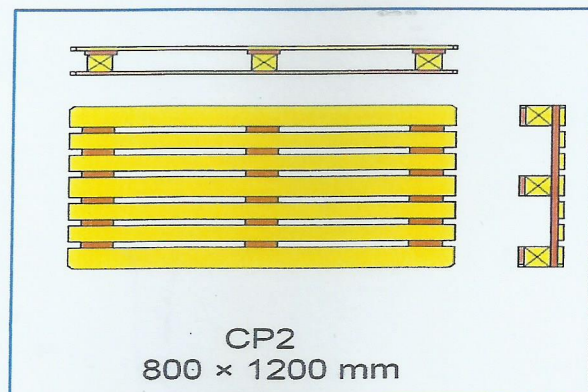
SIZE: IN INCHES: 40 X 48
IN MM: 1016 X 1220



CP 2 PALLETS:

This pallet type was designed to be a EUR Pallet replacement. This pallet is sometimes used in North America in place of a EUR pallet.

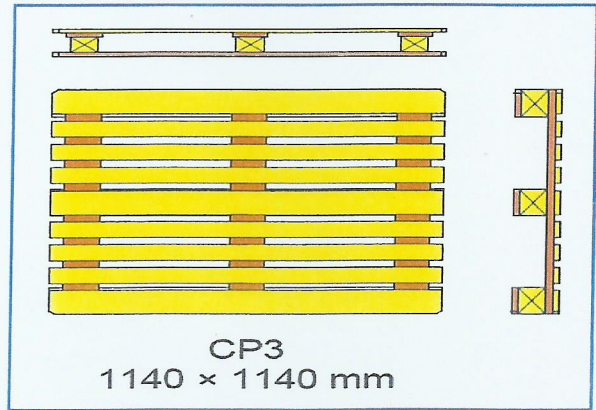
SIZE : IN INCHES: 32 X 48
IN MM: 800 X 1200



CP-3 and CP-9:

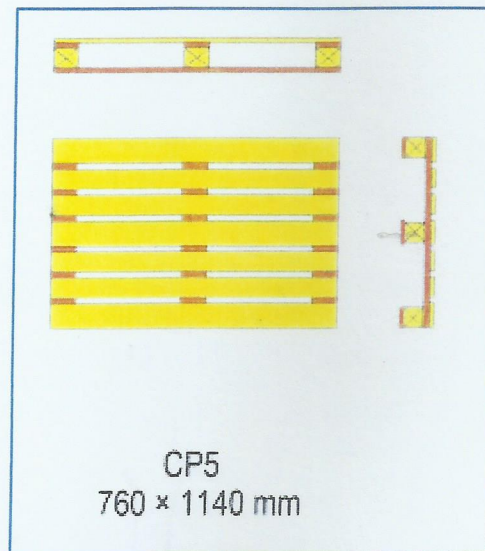
Primarily used for drums and supersacks. CP-3 is the lighter-duty, non-perimeter bottom good for floor stacking, one or two units high. CP-9 is the heavier-duty, perimeter bottom good for floor stacking multiple loaded units high and for racking. The perimeter bottom prevents damage to the lower units by more evenly distributing the load.

SIZE : IN INCHES: 45 X 45
IN MM: 1140 X 1140



CP-5:

SIZE : IN INCHES: 30 X 45
IN MM: 760 X 1140



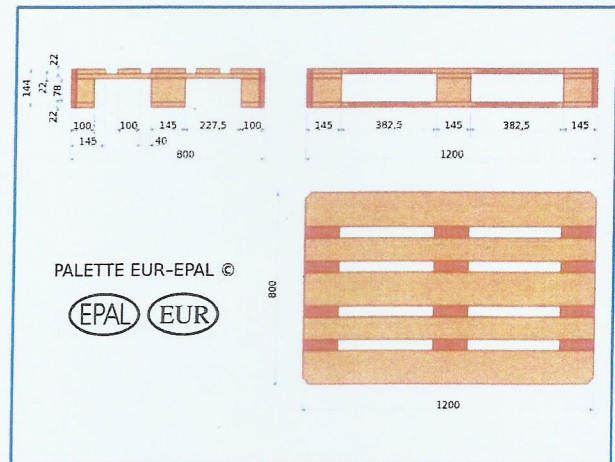
EURO PALLETS:

The Euro-pallet or EPAL-pallet—is the standard European pallet as specified by the European Pallet Association (EPAL).

The EUR/EPAL-pallet is 1200×800×144 mm; it is a four-way pallet made of wood that is nailed with 78 special nails in a prescribed pattern.

SIZE : IN INCHES: 32 X 48

IN MM: 800 X 1200



PLASTIC PALLETS:

Plastic pallets are available in 3 sizes & 2 colours black & blue.

SIZE: 1) IN INCHES: 44 X 44

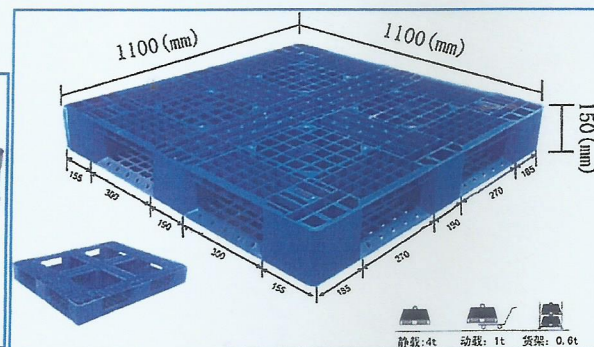
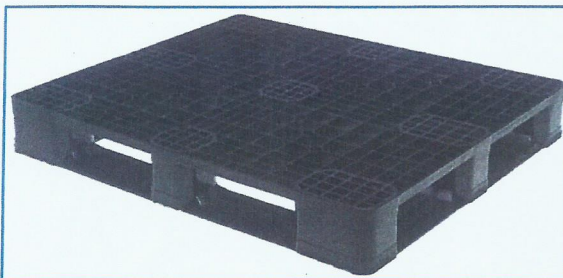
IN MM: 1120 X 1120

2) IN INCHES: 40 X 48

IN MM: 1016 X 1220

3) IN INCHES: 32 X 48

IN MM: 800 X 1200

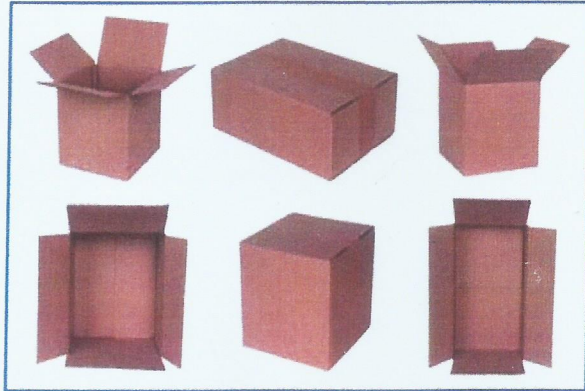


OTHER PACKAGING PRODUCTS:

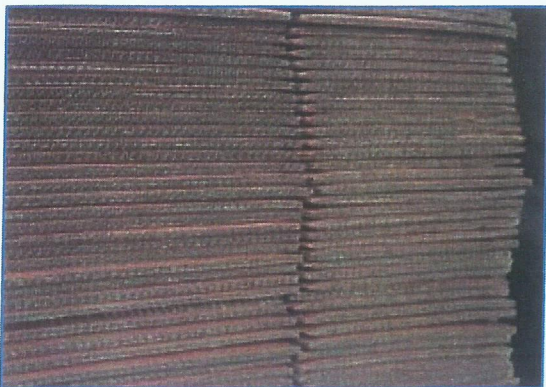
CORRUGATED PAPER ROLL



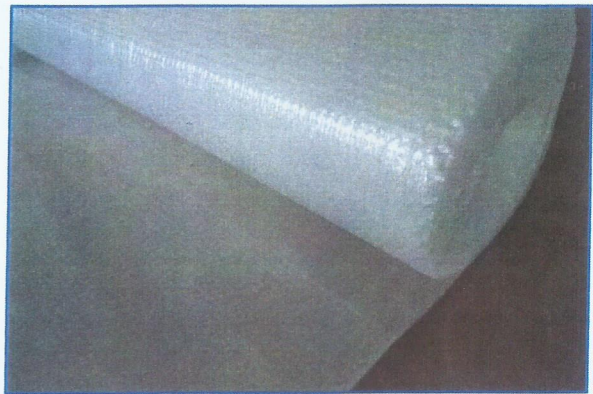
CORRUGATED BOXES



CORRUGATED SHEETS



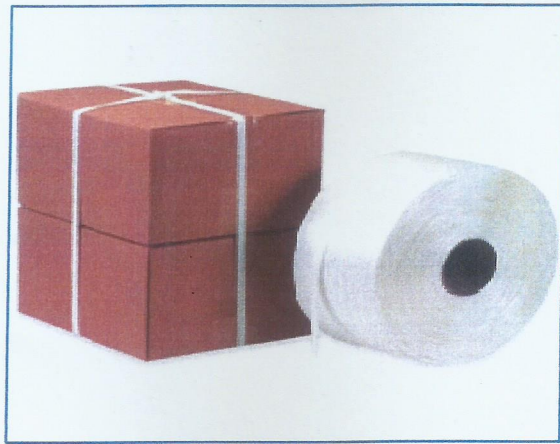
AIR BUBBLE WRAP



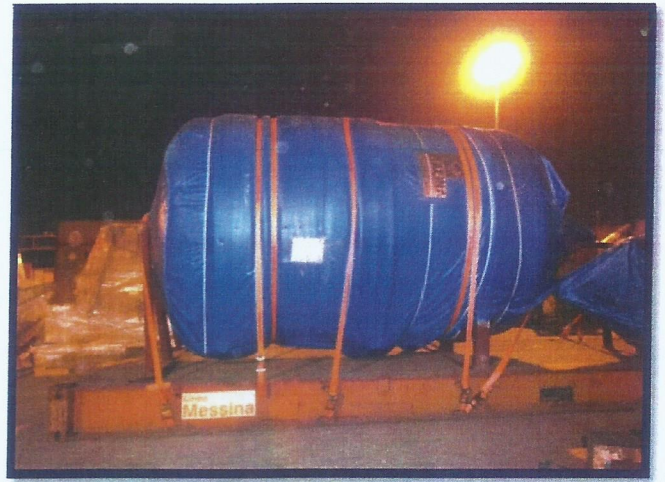
FILM WRAPPING



PLASTIC STRIPPING



ALL TYPES OF LASHING, CHOCKING & PALLETISATION PHOTOS...



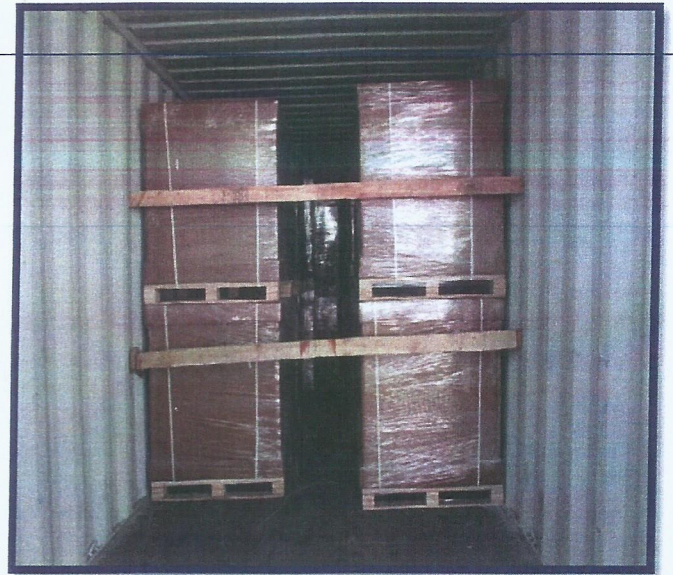
BOILER LASHING WITH POLYESTER BELT AND TARPULIN



▪ LASHING CHOCKING OF CARS WITH NYLON BELTS & STOPPERS



▪ CHOCKING OF PALLETS





• FUMIGATED CRATES



• FUMIGATED CASES







